



# ELECTRICAL REQUIREMENTS

To ensure you will have an opportunity to use your spa soon after delivery, it is very important that the required electrical service has been installed. Unless otherwise stipulated by your dealer, **THIS IS YOUR RESPONSIBILITY.** **IMPORTANT:** All electrical circuits must be installed by a qualified, licensed electrician.

## 230 VOLT INSTALLATION

Your spa contains a control box designed to operate at 230V, 60Hz. Installation of a 50 amp. dedicated circuit is recommended. The control box must be hard wired directly to a subpanel protected by a Ground Fault Circuit Interrupter (GFCI). The subpanel containing GFCI breakers is included with the spa.

**IMPORTANT NOTE:** All electrical connections to the control box must be accomplished by a qualified electrician in accordance with the National Electrical Code and in accordance with any local electrical codes in effect at the time and place of installation.

All electrical connections must be made in accordance with the wiring information contained in this manual and on the back of the field wiring access panel of the control box. A licensed electrician should install a four-wire electrical service (two line voltages, one neutral, one ground) from the main electrical service panel to the subpanel. The equipment pack requires a MINIMUM of 112 volts per line under load.

The grounding conductor must be at least #10 AWG. Your electrician should mount the subpanel in the vicinity of the spa but it should not be closer than five (5) feet from the spa water edge (NEC 680-38 to 41-A-3).

**INSTALLATION NOTE:** After the spa has been installed, your electrician can connect the conduit from the subpanel to the spa's control box and then complete the wiring connections in the control box.

**NOTE:** Complete step-by-step Installation and wiring instructions for all models are included in the Owner's Manual and with each sub-panel, which can be obtained from your dealer.

**WARNING:** Removing or bypassing the GFCI breakers in the subpanel at any time will result in an unsafe spa and will void the warranty.

## 230 VOLT CONVERTED CANTABRIA (OPTIONAL)

The Utopia Cantabria® requires an additional 20 amp breaker in order to operate the heater at the same time as the lounge pump #3.

This subpanel requires a 70 amp, single phase, 230 volt, four wire service (two line, one neutral, one ground). The ground wire must never be less than #10 AWG. Use NEC 250-122 (table) and local codes for more information. A minimum #6 AWG solid copper bond wire is also required.

**NOTE:** Complete step-by-step Installation and wiring instructions for the Cantabria are included in the Owner's Manual and with each sub-panel, which can be obtained from your dealer.

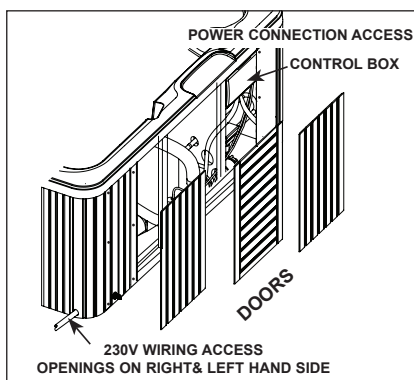
**SEE ABOVE FOR IMPORTANT ELECTRICAL INSTALLATION NOTES.**

## POWER CONNECTION

To connect power to the spa, refer to "230 VOLT WIRING SCHEMATIC DIAGRAM" and "POWER CONNECTION ACCESS" illustrations. Then proceed with the following steps:

When supplying power, remove the screws securing the equipment door (for Utopia spas, always remove the SpaGlo® exterior light fixtures and lift the fiber optic cable out of the fixture base before removing the doors). Lower the panel one inch and remove the panel to allow access to the input power wiring.

**NOTE:** The 230V wiring diagram is located on the inside of the Control Box Cover.

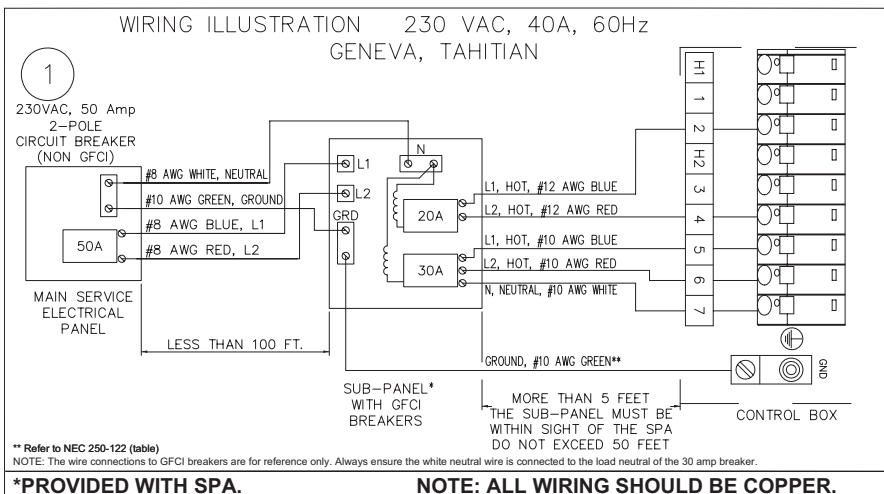


# Pre-Delivery Instructions

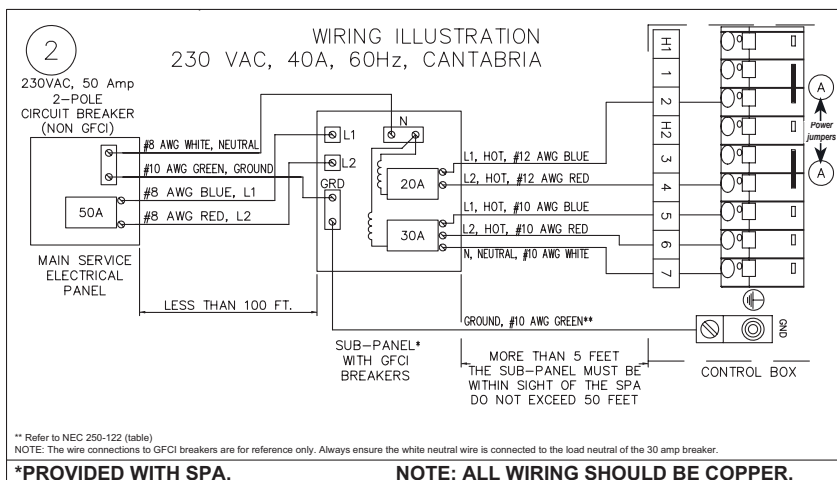
**IMPORTANT:** The following must be followed to properly install the equipment compartment door.

- Place top of door or panel directly below bartop against the frame of the spa. For Utopia spas, first lift the fiber optic cable out of the way.
- Push bottom of door or panel against the spa frame.
- Slide door or panel upward (pushing in on center of door to ensure door clips catch) until screw holes line up, making sure that the exterior fiber optic light cable will fit into the fixture.
- Slightly pull on door or panel. If door remains against the spa, then replace the screws.
- If the door does not lock into position, repeat the previous steps.

## WIRING DIAGRAMS UTOPIA GENEVA®, TAHITIAN® & NIAGARA®

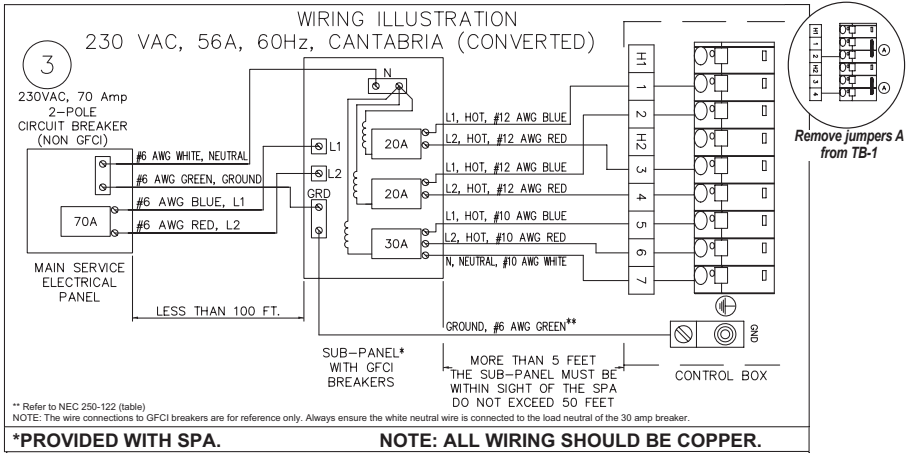


## UTOPIA CANTABRIA®





# OPTIONAL UTOPIA CANTABRIA® (CONVERTED)



# PARADISE SERIES

